

OPEN TECHNOLOGY OPEN MIND

YOU TELL TECHNOLOGY WHAT TO DO, NOT VICA VERSA



Thermo**Flex**X



THERMOFLEXX SOLUTIONS MEET THE PRINTERS' DEMANDS

CUSTOMER INTIMACY

Xeikon prides itself on the intimate relationships it has built with its customers. All the solutions offered by the company are developed to solve specific customer challenges. The company maintains its “customer intimacy” by being open and approachable at all the levels of the organization.

EXPERIENCE

Printers and prepress tradeshops can depend on Xeikon Prepress for experience and know-how. As a renowned innovator in the printing industry for more than 20 years, the company has been offering CtP solutions for the Newspaper, Commercial & Screenprinting Industry.

CHOICE OF PLATES

Printers and repro houses can use their ThermoFlexX imagers to expose any of the leading flexo and letterpress plates. The choice is theirs, since they don't have to be locked into a 'closed system solution'. With ThermoFlexX, they have complete freedom.

PROFESSIONAL QUALITY

One of the key benefits of the ThermoFlexX imagers is their 5080ppi imaging resolution. In addition, ThermoFlexX customers swear by the manufacturing quality and reliability of these solutions.

OPENNESS AND MODULARITY

ThermoFlexX imagers accept 1-bit TIFF files from any workflow or front-end. And the workflow can be as simple or as complex as the printer or repro house needs.

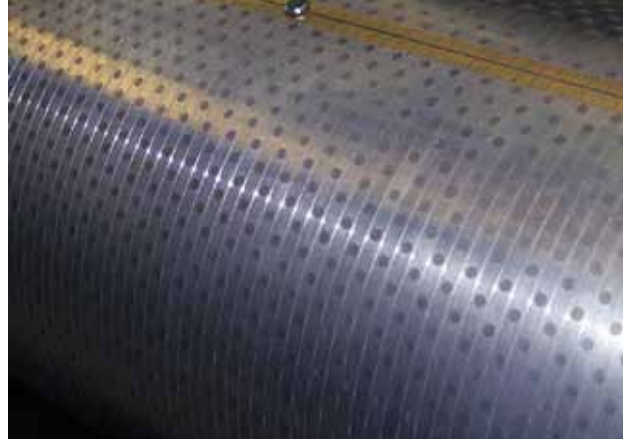
PROFESSIONAL SUPPORT

In a production environment, any solution is only as good as the service support behind it. In case of ThermoFlexX solutions, the installation and support teams are always available to help customers, together with the experts from local distribution partners.

HIGH QUALITY, MODULAR AND OPEN SOLUTIONS FOR FLEXO & LETTERPRESS PLATES



ThermoFlexX



RELEVANT UNIQUE FEATURES

No other digital imager offers the unique Vacuum Slider Concept (VSC). Based on smart design, printers can insert the plate in the advanced clamping system and slide the vacuum setting towards the plate edge. "That's it!" No more need for special tape constructions or cutting plates to fit dedicated vacuum zones, thus, allowing the use of cut-off scraps!

HIGH QUALITY IMAGING

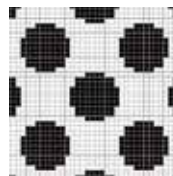
The fiber laser is today's best technology for digital imaging, offering superior quality. The robustly designed ThermoFlexX is made out of heavy duty industrial components, which makes high speeds possible without fluctuations and vibrations. This offers accurate and consistent imaging quality.

UNIQUE RESOLUTION FLEXIBILITY

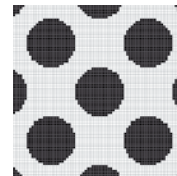
The ThermoFlexX imagers excel in their choice of resolution. Any of the following resolutions can be used: 2400, 2540, 4000, 4800 or 5080. With the 5080 dpi resolution, we push the quality standards to a higher level.

- Smaller screen dots resulting in finer details
- Cleaner mid-tones
- Sharper text, lines, barcodes and QR codes
- Capability to reproduce full image contrast, thanks to the abundance of gray levels even at high screening levels

2540 ppi



5080 ppi



MULTIPLATE

Dedicated front-end software, combining simplicity with functionality, resulting in maximum productivity of your ThermoFlexX.

SMART TECHNICAL CHARACTERISTICS

ThermoFlexX imagers are designed for smooth and productive operation.

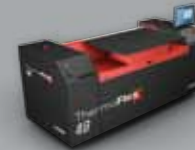
- The advanced clamping system facilitates ergonomic and easy plate mounting.
- The standard vacuum drum and optional hybrid vacuum / magnetic drum assure accurate plate positioning and optimal exposure of flexo and letterpress plates.
- The integrated display enables fast, user friendly and reliable control of the imager.

A BROAD RANGE OF THERMOFLEXX DIGITAL IMAGERS



THE CHOICE IS YOURS

Whether you need tags, labels, flexible packaging, folding carton or corrugated packaging, ThermoFlexX imagers can do it all. They offer the required combination of size and productivity for any narrow, mid, or wide web application. All standard configurations are clear and straight-forward with no surprises of “extra” options!



	ThermoFlexX 18	ThermoFlexX 20	ThermoFlexX 30	ThermoFlexX 48	ThermoFlexX 60	ThermoFlexX 80
Plate size	508 mm x 457 mm 20" x 18"	635 mm x 508 mm 25" x 20"	635 mm x 762 mm 25" x 30"	900 mm x 1200 mm 35" x 48"	1067 mm x 1524 mm 42" x 60"	1270 mm x 2032 mm 50" x 80"
Applications	Tags & Labels	Tags & Labels Folding Cartons	Labels Folding Cartons	Labels Flexible Packaging Folding Cartons	Flexible Packaging Folding Cartons	Flexible Packaging Folding Cartons Corrugated Packaging
Resolutions	Standard 2400, 2540 dpi Optional 4000, 4800, 5080 dpi	Standard 2400, 2540 dpi Optional 4000, 4800, 5080 dpi	Standard 2400, 2540 dpi Optional 4000, 4800, 5080 dpi	Standard 2400, 2540 dpi Optional 4000, 4800, 5080 dpi	Standard 2400, 2540 dpi Optional 4000, 4800, 5080 dpi	Standard 2400, 2540 dpi Optional 4000, 4800, 5080 dpi
Productivity*	Standard 1 sqm/h Optional 1.25 sqm/h	Standard 1.5 sqm/h Optional 2.5 sqm/h	Standard 1.5 sqm/h Optional 2.5 sqm/h	Standard 3.5 sqm/h Optional up to 6 sqm/h	Standard 3.5 sqm/h Optional up to 12 sqm/h	Standard 3.5 sqm/h Optional up to 12 sqm/h

THERMOFLEXX 60 & THERMOFLEXX 80 CUSTOMER DRIVEN TECHNOLOGY

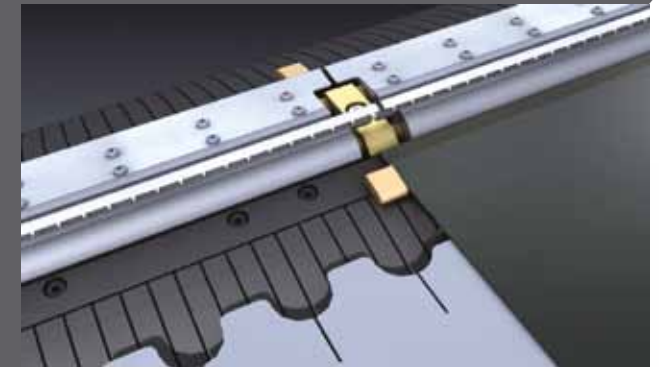
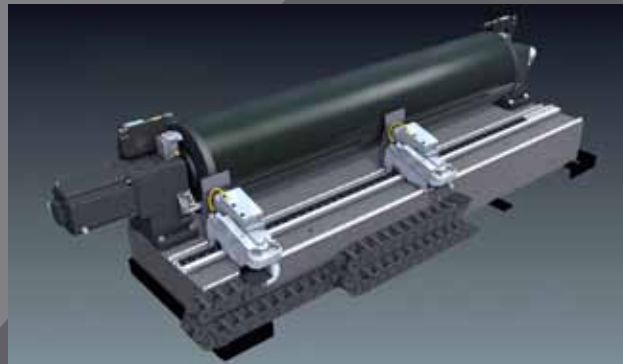
THERMOFLEXX FLEXTRAY

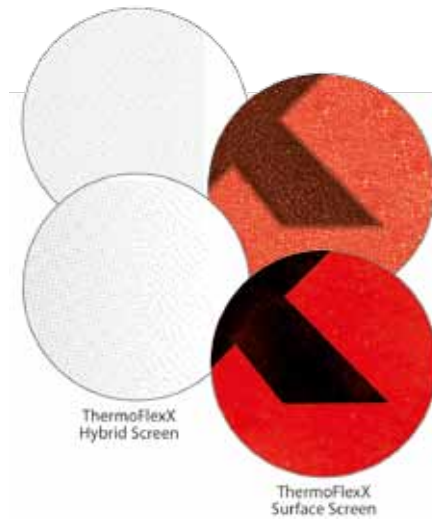
With its unequalled loading and unloading concept, the ThermoFlexX 60 and 80 offer efficient and problem free plate handling by means of the FlexTray. The FlexTray facilitates the plate transport from the warehouse to the production area, easily aligning with any flexo equipment in the prepress room. The FlexTray table can be tilted so it simplifies transport from one room to another.

The FlexTray can be adjusted in height in order to level with all exposure and processing equipment. As an integral part of the ThermoFlexX 60 and 80, the FlexTray smoothly positions over the imager by means of guides and air valves. The guides navigate the FlexTray into the correct position over the ThermoFlexX, while the air valves generate an air cushion between plate and table resulting in a smooth plate loading and unloading.

GROW WITH YOUR BUSINESS

Have your ThermoFlexX imager grow along your own growth path and speed thanks to unique modularity. The possibility of adding an additional imaging head, not only results in more productivity, but also offers you an important level of redundancy.





INNOVATIVE SCREENING TECHNOLOGY

ThermoFlexX is compatible with all recent screening technologies. ThermoFlexX Hybrid Screening and Surface Screening are improving the highlight zones, solid density and the overall quality of the print result.

NEW MULTIPLATE SOFTWARE

The new MultiPlate 4.0 has an intuitive interface providing amazing ease of use. 1bit TIFF files are arranged automatically or manually and jobs of different resolutions can be combined. The status of different jobs is intuitively presented. With the search and filter tool you can easily find any previous files, even if they are stored in an archive.





YOU'RE THE DRIVER

SOME ARE RULED AND SOME RULE

Zeikon Prepress has a long lasting reputation of manufacturing high quality Computer to Plate equipment. The basysPrint CtCP systems offer flexibility combined with outstanding quality using Conventional offset plates resulting in a very attractive ROI for commercial printers. The Newspapers CtP products, manufactured and designed under an exclusive OEM agreement for Agfa Graphics, are considered as the reference in the Newspaper industry.

For the flexographic market, Zeikon Prepress offers digital platemaking systems under the ThermoFlexX brand name. ThermoFlexX systems provide high-resolution plate exposure combined with flexibility and productivity.

Zeikon is also an innovator in digital printing technology. The company designs, develops and delivers web-fed digital color presses for label and packaging applications, document

printing, as well as commercial printing. These presses utilize LED-array-based dry toner electro-photography, open workflow software and application-specific toners.

All the Zeikon solutions are designed with the overarching principles of profitability, quality, flexibility and sustainability in mind. With these guiding principles and a deep, intimate knowledge of its customers, Zeikon continues to be one of the industry's leading innovators of products and solutions.

For more information, visit www.thermoflexx.com

© 2015 Zeikon International BV. All rights reserved. All trademarks are property of their respective owners. No parts of this brochure may be reproduced, copied, adapted, translated or transmitted in any form or by any means, without prior written permission from Zeikon. The material in this brochure is for informational purposes only and is subject to change without prior notice. No responsibility or liability is assumed by Zeikon for any errors, which may appear in this brochure.

SegBro_TFxx_EN_Aug2015